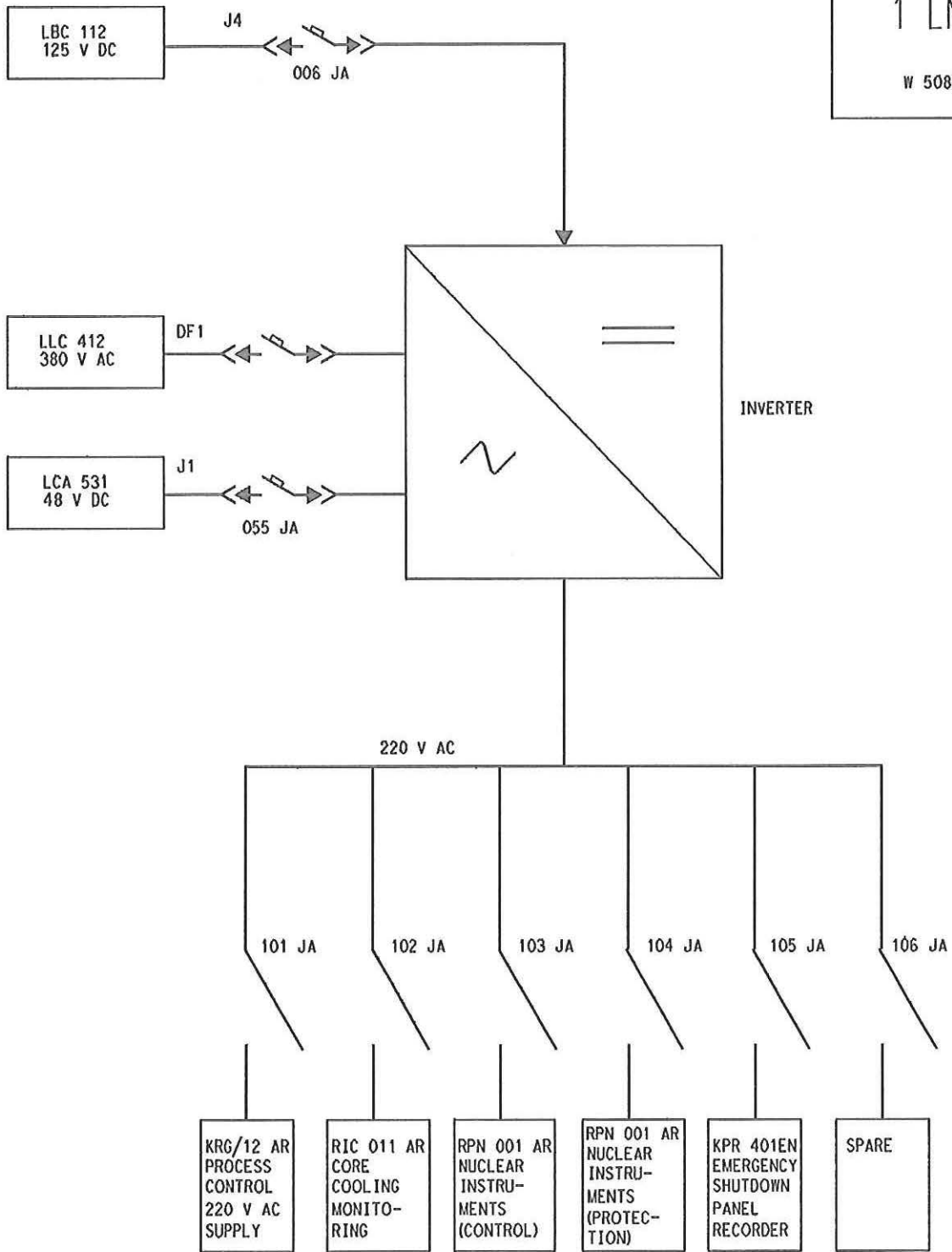
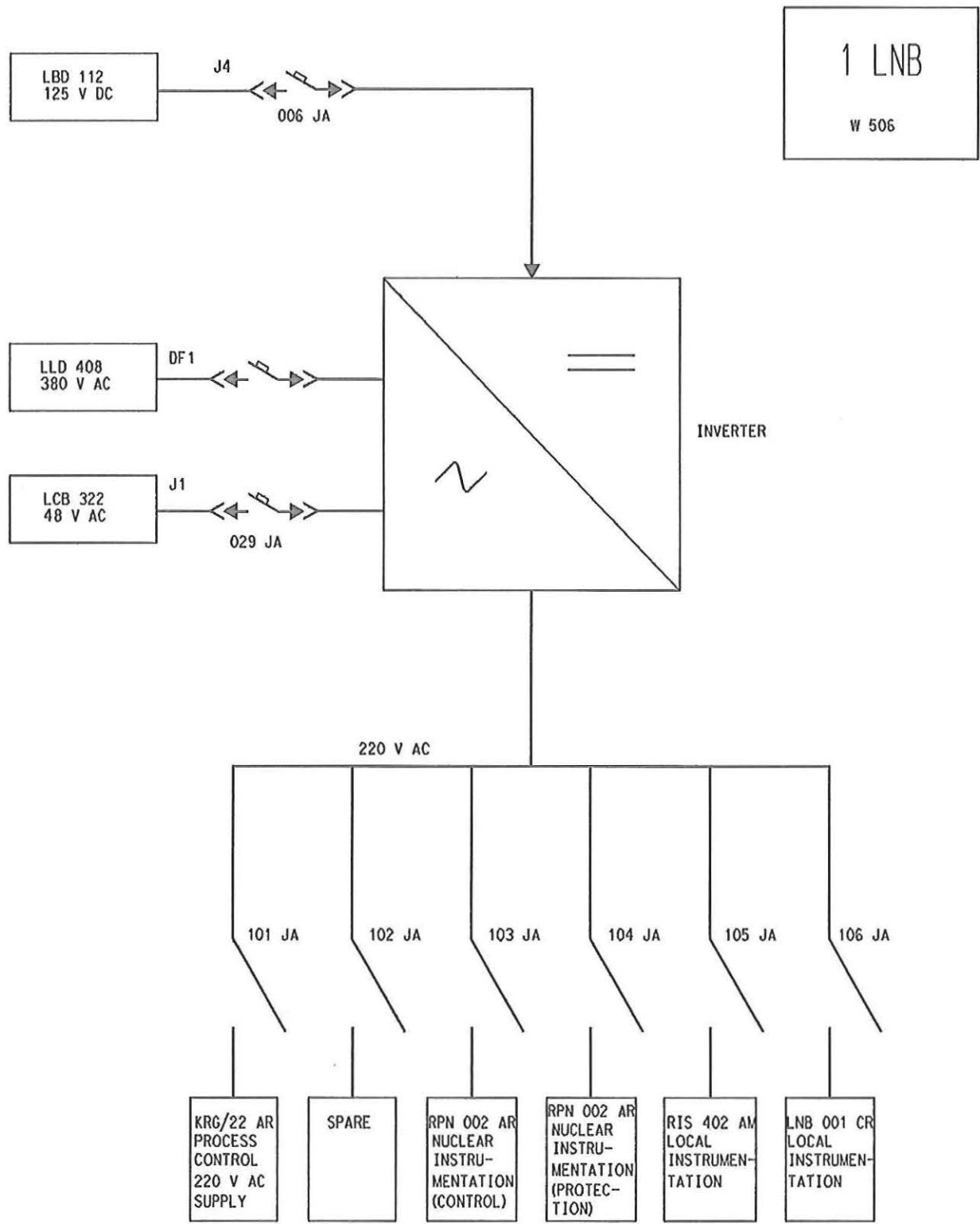


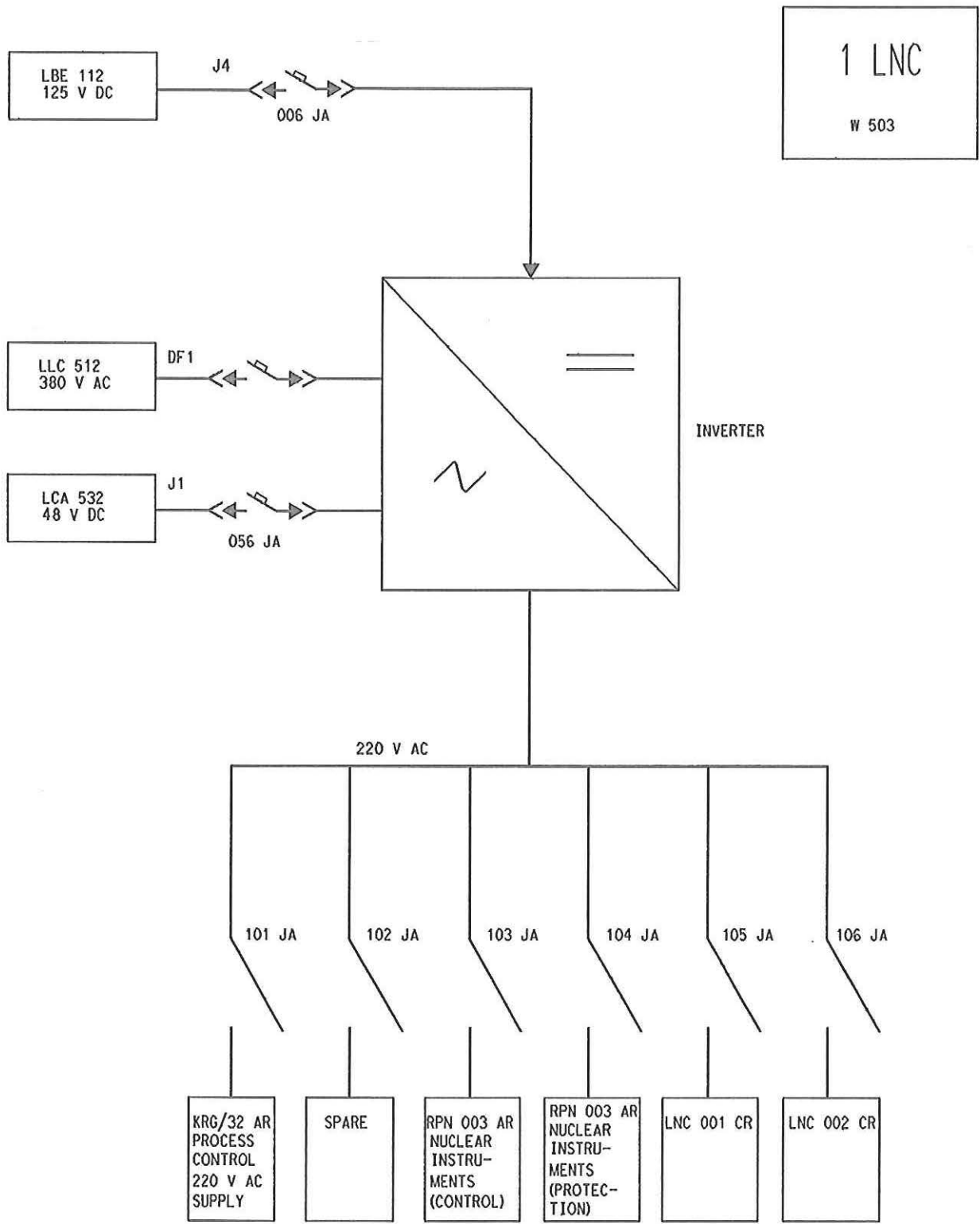
Z21	31.3.97	RJK	FAA	<i>R. J. Robert</i>	AS PER DDR 1054/96	
A	21.10.85	VVZ	GHP	AFM	ESKOM No. ALLOCATED (WAS PT770/50.045)	
REV	DATE	DRAWN	CHECKED	APPROVED	MODIFICATION	SHEET
TITLE					DWG No.	SHEET
1 LNA					31.46 / 1004	83 BEFORE 84
					MICRO FEB96204	



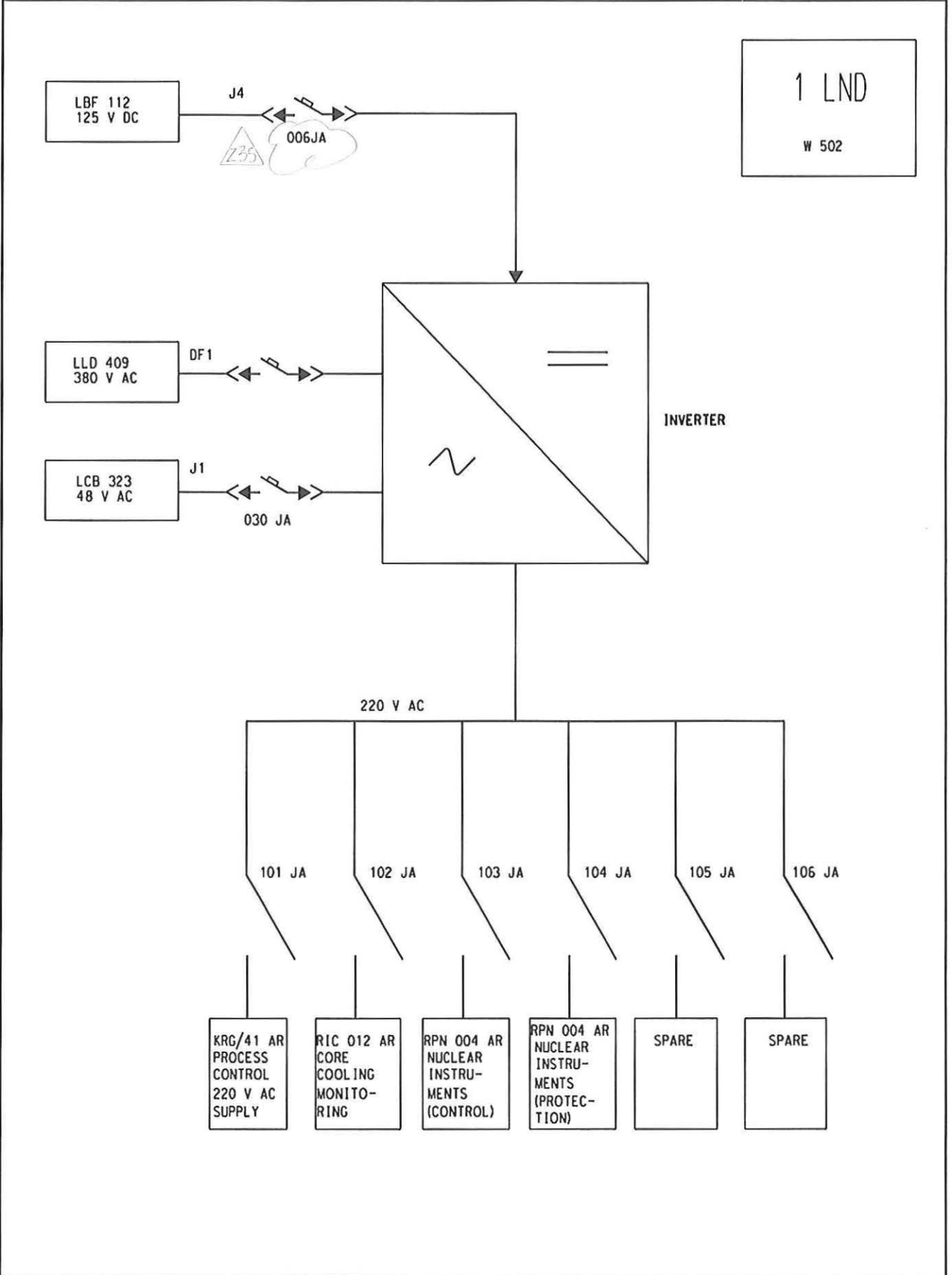
Z21	31.3.97	RJK	<i>FCA</i>	<i>BART</i>	AS PER DDR 1054/96
A	21.10.85	VVZ	GHP	AFM	ESKOM No. ALLOCATED (WAS PT770/50.046)
REV	DATE	DRAWN	CHECKED	APPROVED	MODIFICATION
TITLE					SHEET
1 LNB					84
DWG No. 31.46 / 1004					BEFORE
MICRO FEB96205					85



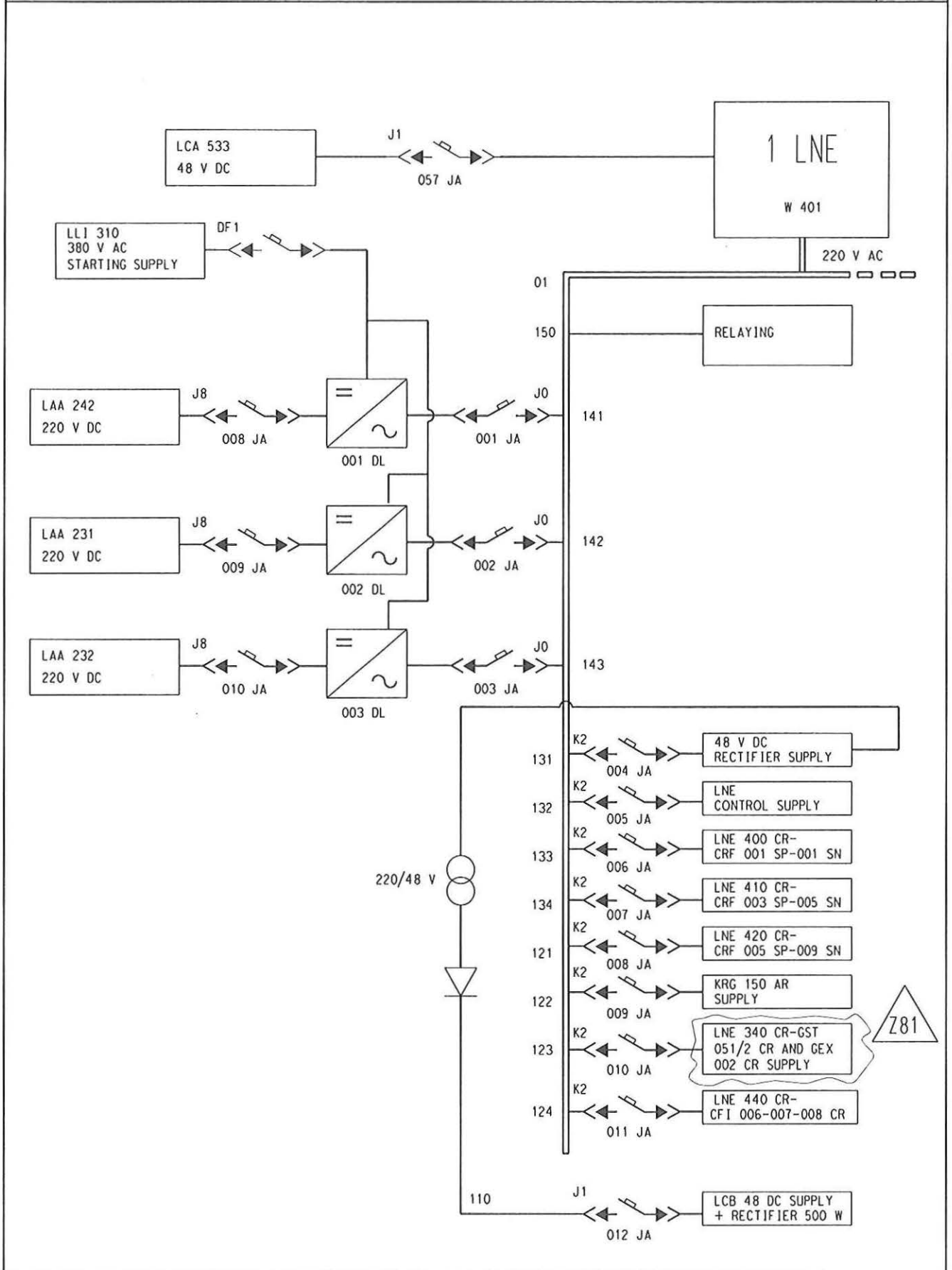
Z21	31.3.97	RJK	<i>Fgn</i>	<i>BLET</i>	AS PER DDR 1054/96
A	21.10.85	VVZ	GHP	AFM	ESKOM No. ALLOCATED (WAS PT770/50.047)
REV	DATE	DRAWN	CHECKED	APPROVED	MODIFICATION
TITLE					SHEET
1 LNC					85
DWG No. 31.46 / 1004					BEFORE
MICRO FEB96206					86



Z35	02.08.00	SB	<i>ACN</i>		AS PER DDR 2000/01553
Z21	31.03.97	RJK	FGA	BT	AS PER DDR 1054/96
A	21.10.85	VVZ	GHP	AFM	ESKOM No. ALLOCATED (WAS PT770/50.048)
REV	DATE	DRAWN	CHECKED	APPROVED	MODIFICATION
TITLE					SHEET
1 LND					86
DWG No. 31.46 / 1004					BEFORE
MICRO FEB96207					87

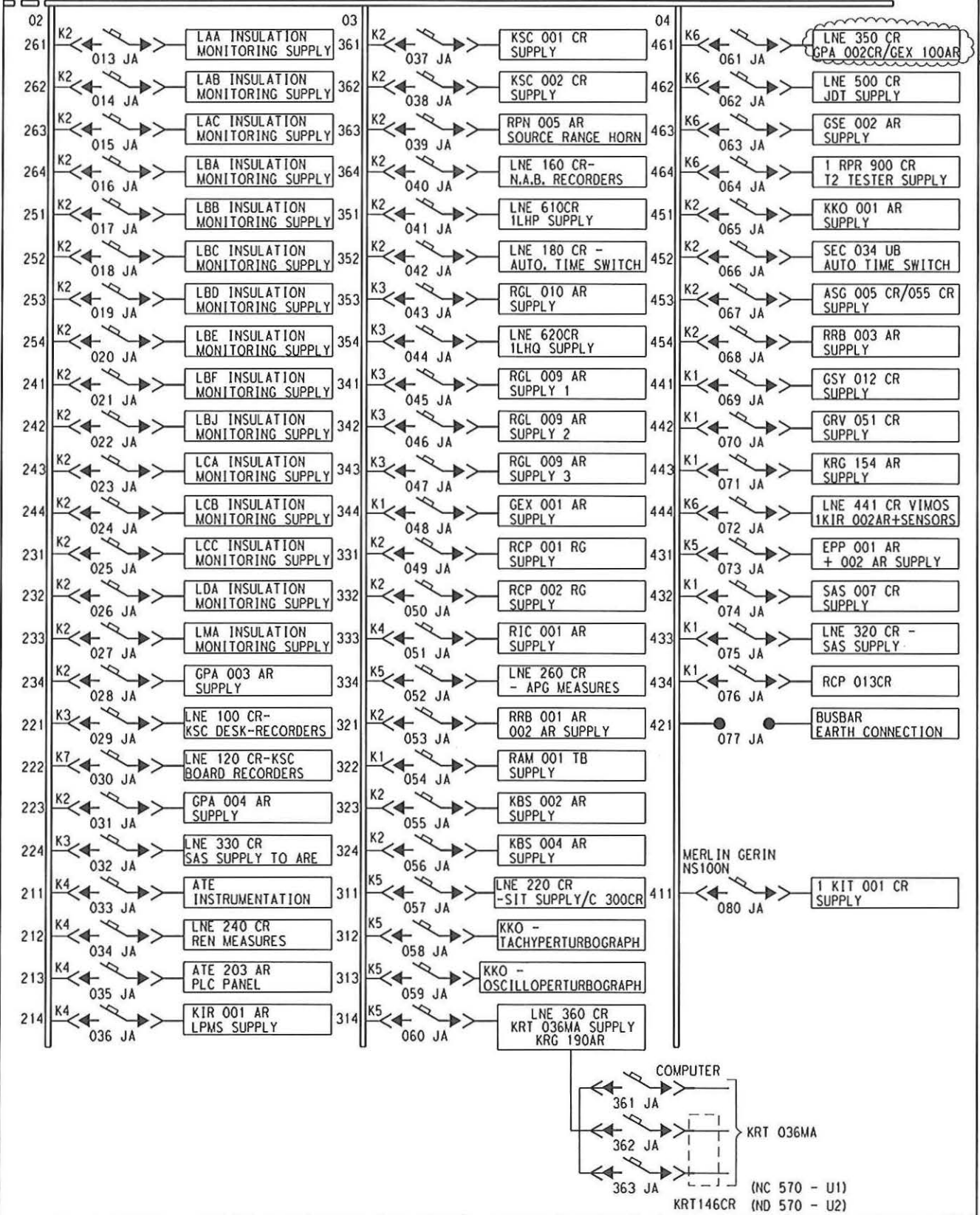


Z81	2009.03.25	BLR	<i>FGA</i>	<i>EJK</i>	AS PER DDR 2009/00499
Z21	31.03.97	RJK	<i>FGA</i>	BT	AS PER DDR 1054/96
E	17.02.89	RC		BD	CHANGED SEE REF DDR 120/88
D	05.01.89	LS		BD	CHANGED SEE REF. DDR 31/88
A	21.10.85	VVZ	GHP	AFM	ESKOM No. ALLOCATED (WAS PT770/50.049 A)
REV	DATE	DRAWN	CHECKED	APPROVED	MODIFICATION
TITLE					SHEET
1 LNE					87
DWG No. 31.46 / 1004					BEFORE
MICRO FEB96208					88



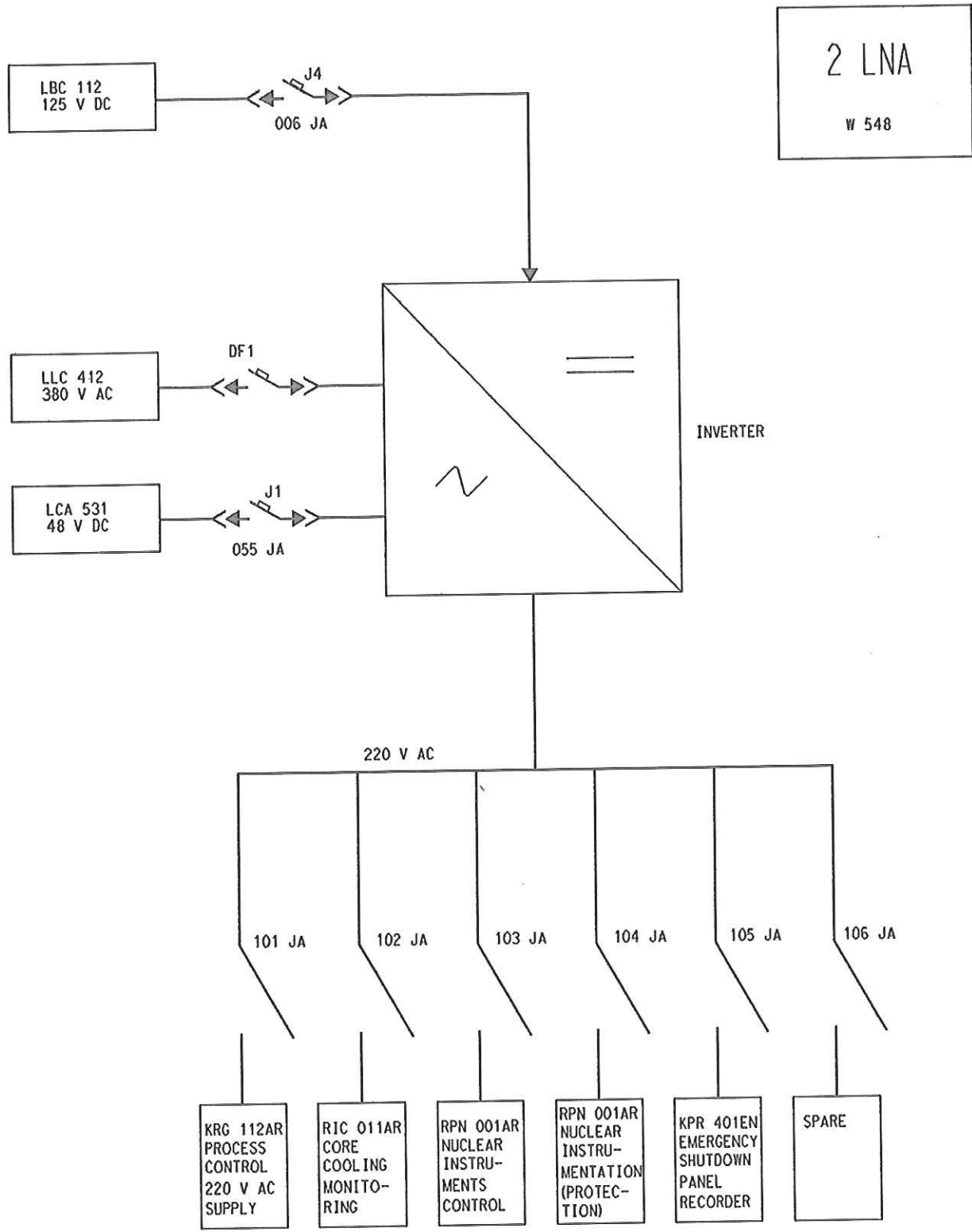
Z89	2012-03-13	PK	SB	EJK	MOD.07249 ; DDR 2011/01436	
Z84	2010-09-16	PK	SB	EJK	MOD.00042C ; DDR 2009/01582	
Z78	2008-01-31	WL	SB	EJK	DDR 2008/00082	
Z70	2007-06-02	PK	FGA	RK	DDR 2007/00797	
Z69	2007-05-24	PK	FGA	DDK	MOD.02229-1 ; DDR 2007/00742	
REV	DATE	DRAWN	CHECKED	APPROVED	MODIFICATION	
TITLE					DWG No.	SHEET
1 LNE					31.46 / 1004	88 BEFORE 89

220 V AC

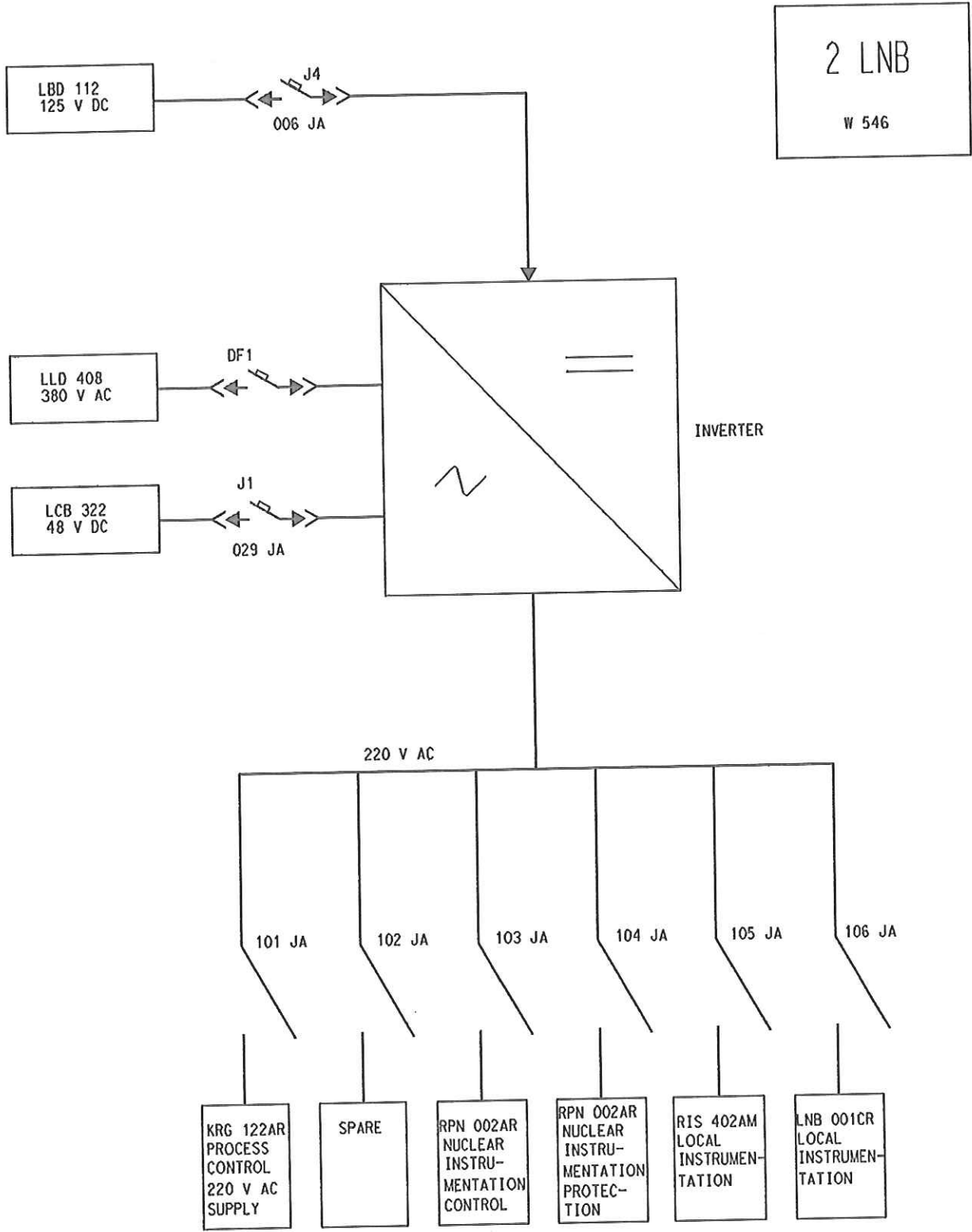


Z89

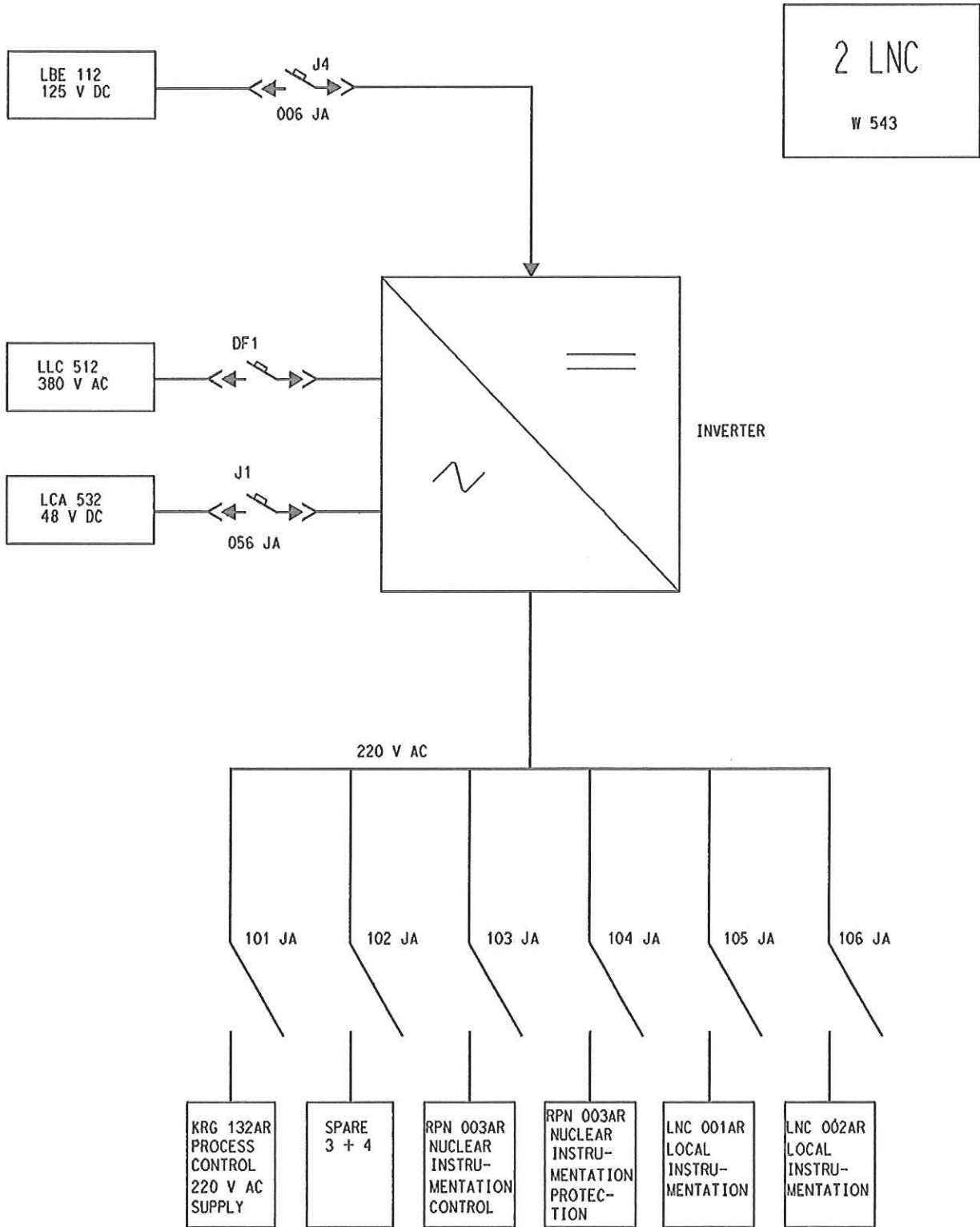
Z16	18.02.97	RB	FGA		DDR 1055/96
A	21.10.85	VVZ	GHP	XXX	ESKOM No. ALLOCATED (WAS PT770/50.125)
REV	DATE	DRAWN	CHECKED	APPROVED	MODIFICATION
TITLE					DWG No.
2 LNA					31.46 / 1005
					MICRO FEB96293
					SHEET
					83
					BEFORE
					84



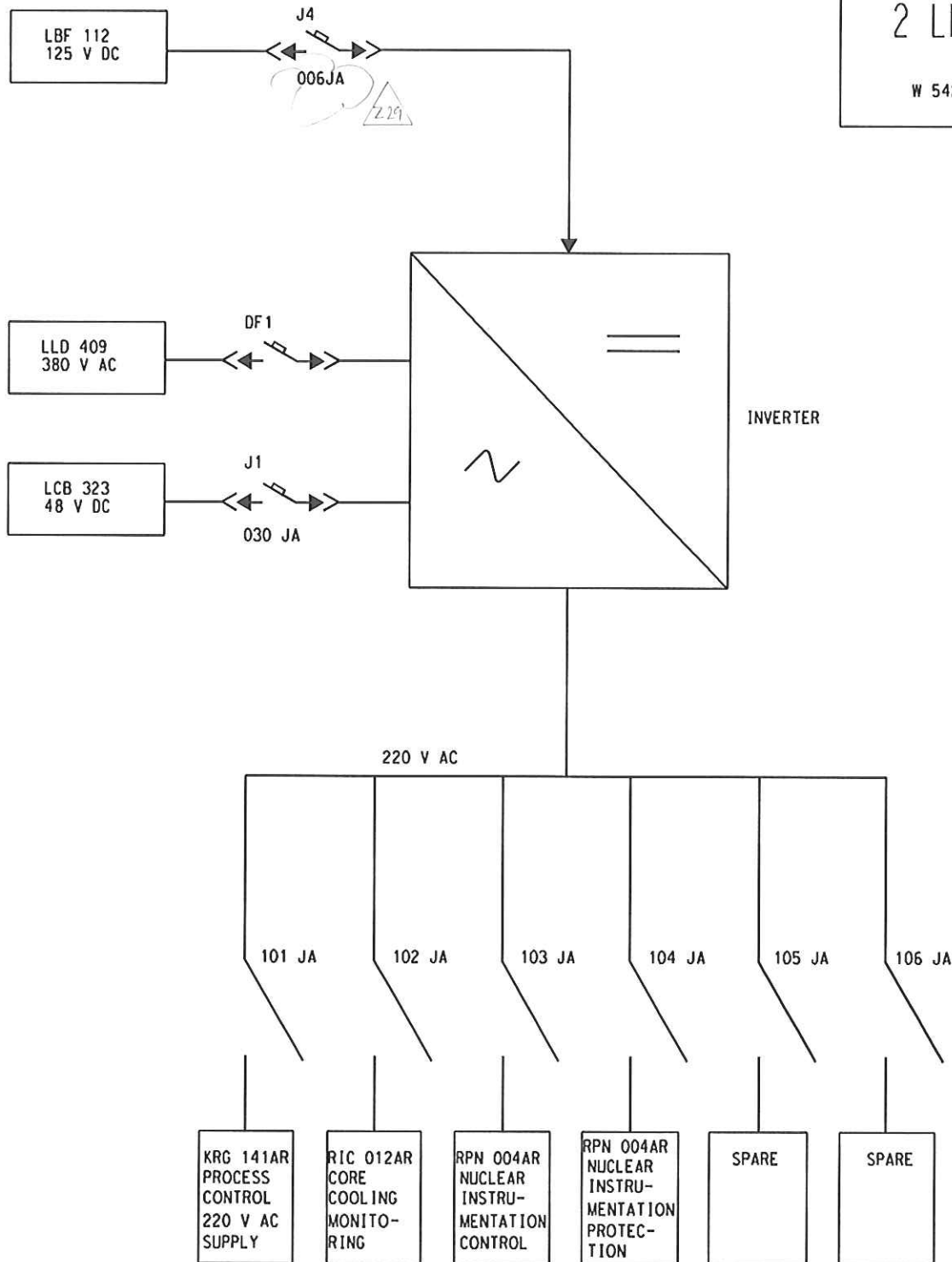
Z16	18.02.97	RB	FGA	<i>[Signature]</i>	DDR 1055/96
A	21.10.85	VVZ	GHP	XXX	ESKOM No. ALLOCATED (WAS PT770/50.126)
REV	DATE	DRAWN	CHECKED	APPROVED	MODIFICATION
TITLE 2 LNB					DWG No. 31.46 / 1005
					MICRO FEB96294
					SHEET 84 BEFORE 85



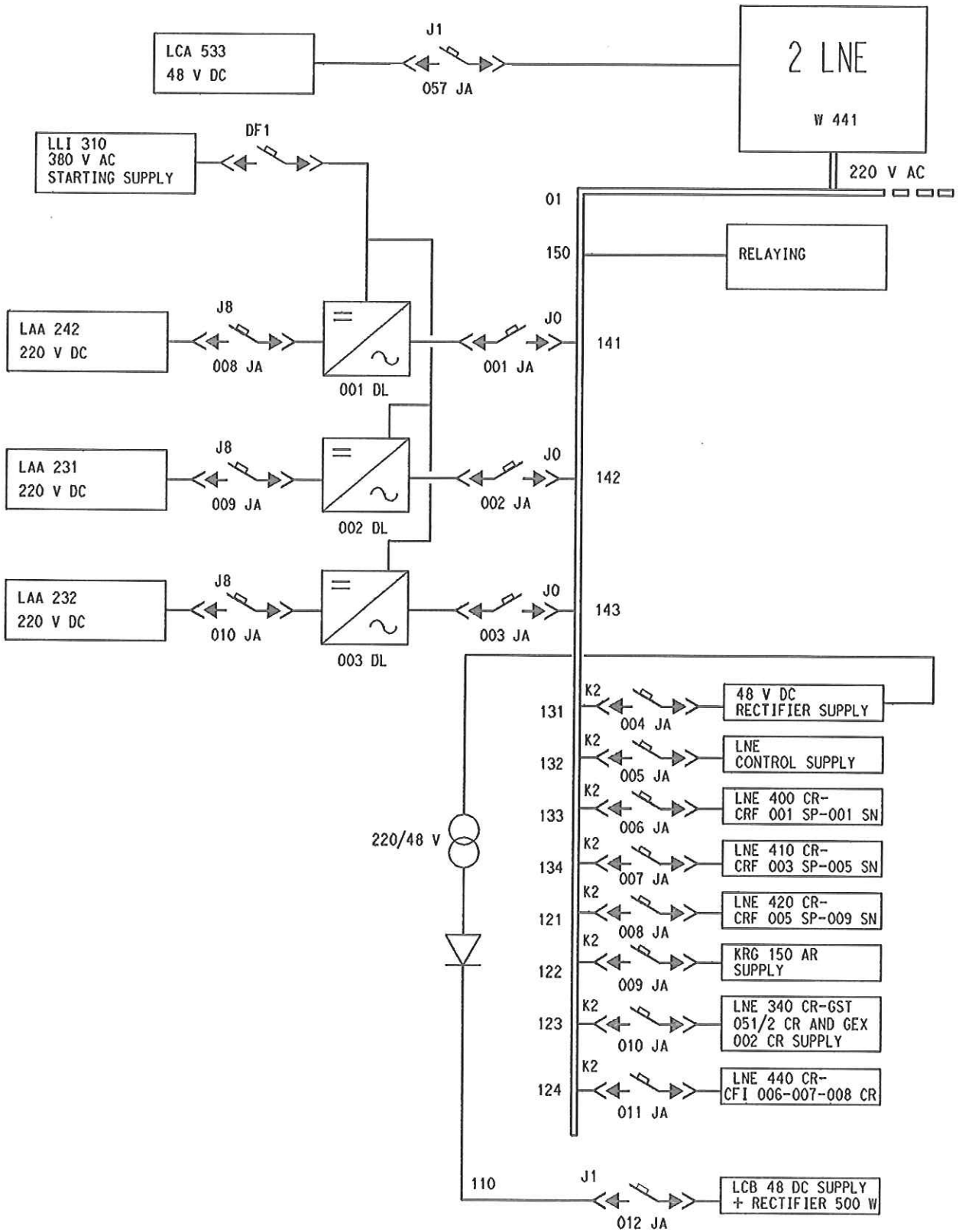
Z16	18.02.97	RB	FGA	<i>[Signature]</i>	DDR 1055/96
A	21.10.85	VVZ	GHP	XXX	ESKOM No. ALLOCATED (WAS PT770/50.127)
REV	DATE	DRAWN	CHECKED	APPROVED	MODIFICATION
TITLE					SHEET
2 LNC					85
DWG No. 31.46 / 1005					BEFORE
MICRO FEB96295					86



Z29	02.08.00	SB	<i>ACU</i>		DDR 2000/01554
Z16	18.02.97	RB	FGA	BT	DDR 1055/96
A	21.10.85	VVZ	GHP	XXX	ESKOM No. ALLOCATED (WAS PT770/50.128)
REV	DATE	DRAWN	CHECKED	APPROVED	MODIFICATION
TITLE 2 LND					DWG No. 31.46 / 1005
					MICRO FEB96296
					SHEET 86 BEFORE 87

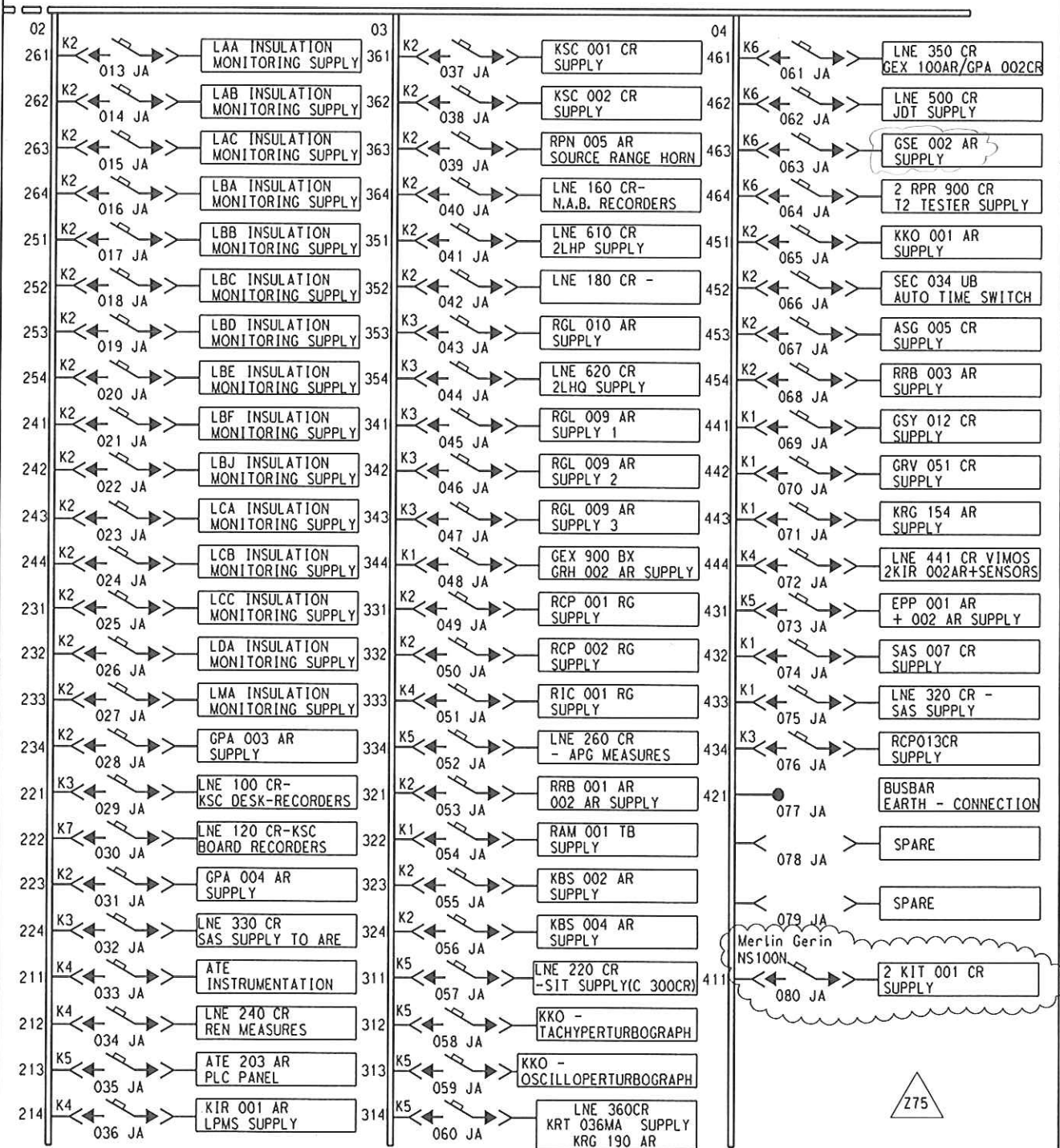


Z16	18.02.97	RB	FGA	<i>[Signature]</i>	DDR 1055/96
E	05.01.89	LS	xxx	xxx	CHANGED SEE REF. DDR 31/88
A	21.10.85	VVZ	GHP	xxx	ESKOM No. ALLOCATED (WAS PT770/50.129 A)
REV	DATE	DRAWN	CHECKED	APPROVED	MODIFICATION
TITLE					DWG No. 31.46 / 1005
2 LNE					MICRO FEB96297
					SHEET 87 BEFORE 88



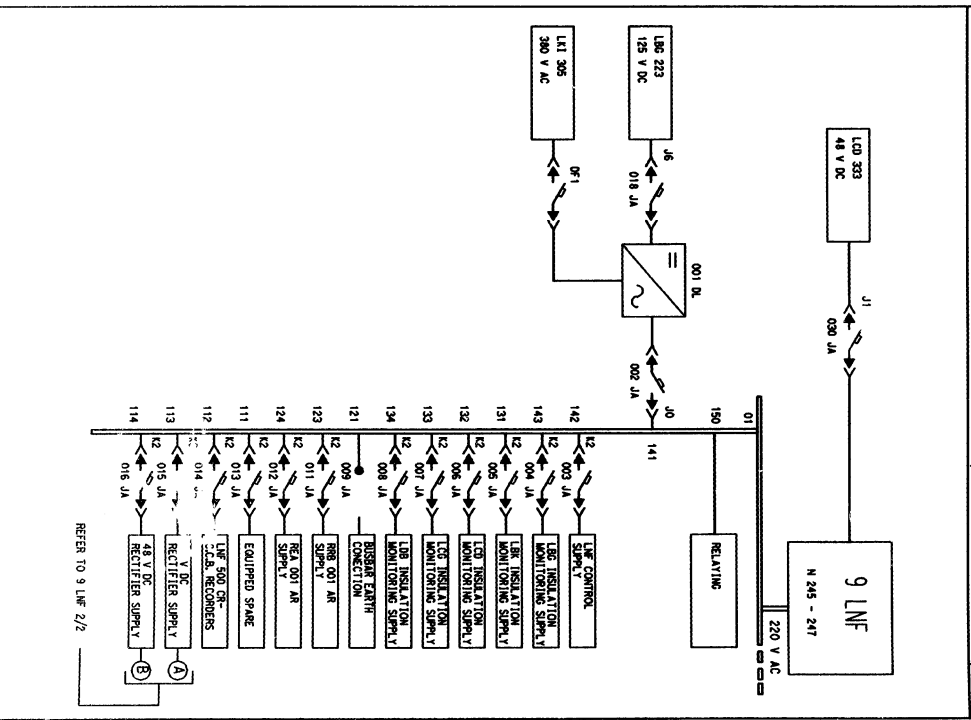
275	2011.04.07	WL	BB	ESK	MOD. 00042C ; DDR 2009/01681
266	2008-04-11	BLR	SB	DDK	MOD:05068-2; DDR 2008/00464
265	2008-04-03	DB	FGA	RK	MOD:07249-2 DDR 2008/00225
262	2007-09-28	BLR	SB	DDK	DDR 2007/00156
259	2007-06-02	PK	SB	DDK	DDR 2007/00798
258	2007-05-24	PK	FGA	EJK	MOD.02229-2 ; DDR 2007/00743
REV	DATE	DRAWN	CHECKED	APPROVED	MODIFICATION

TITLE **2 LNE** DWG No. **31.46/1005** MICRO FEB96298 SHEET **88** BEFORE **89**



275

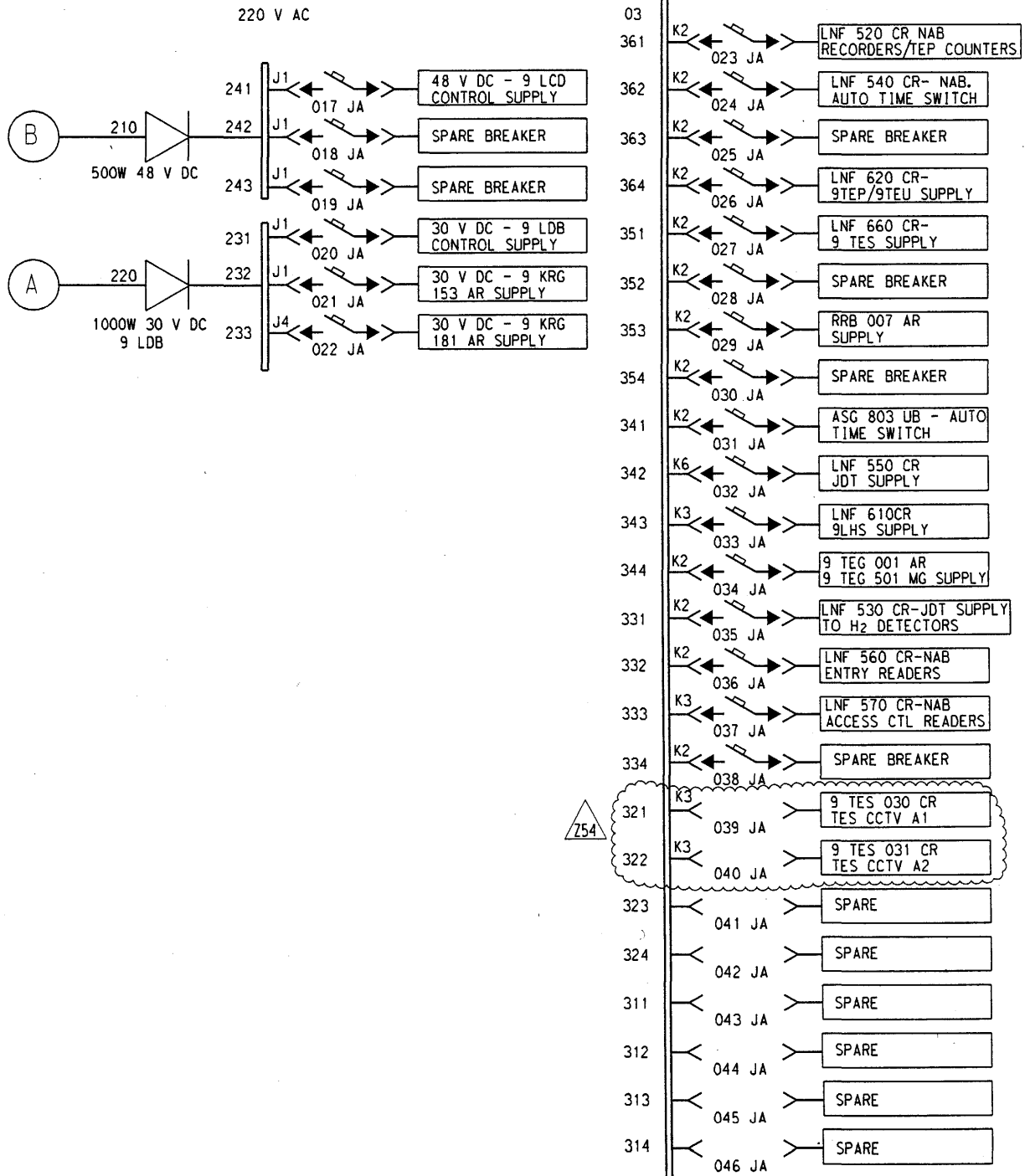
211	13.02.2017	RD	Pa-A	DR: 1006/RS
A	21.10.06	VIZ	GP	ESKON No. ALLOCATED HAS P170/RS/011 A
REV	DATE	DRAWN	CHECKED	APPROVED
TITLE				DRG No. 31.46 / 1006
				MICRO FEKMS-42
				SHEET 44
				REFORM 43



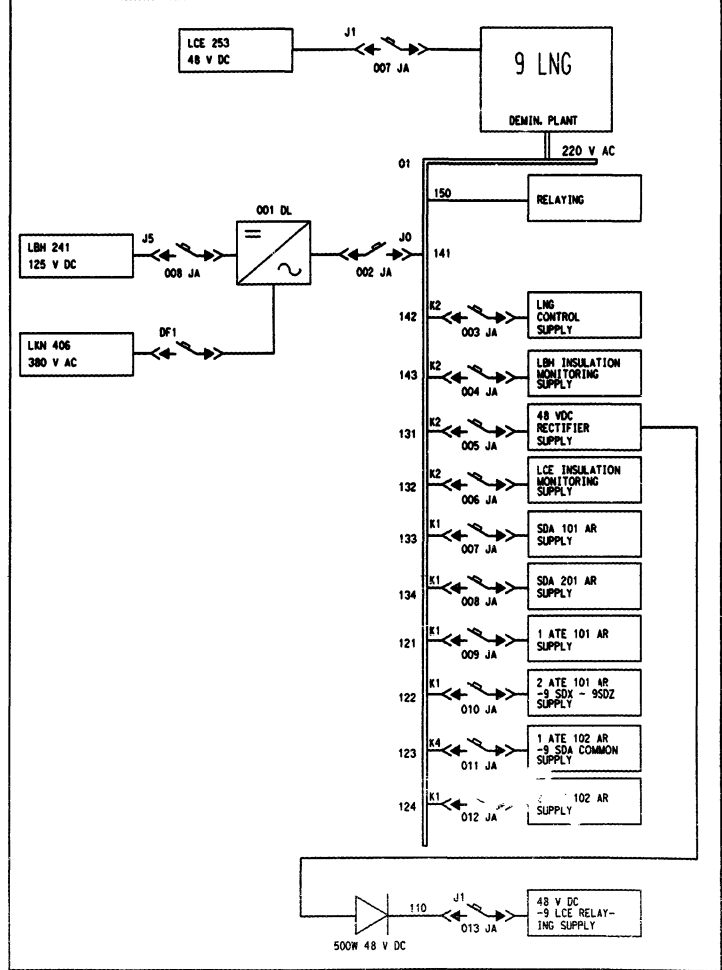
22/3/2012

Z54	2012-01-25	PK	<i>BB</i>	<i>R</i>	MOD.06035 ; DDR 2010/00261
Z42	2008-11-14	PK	SB	EJK	MOD.00132 ; DDR 2007/01199
Z39	2007-08-21	PK	SB	EJK	MOD.00116 ; DDR 2007/01148
Z37	2005-11-15	SB	FGA	NWB	MOD.04008 ; DDR 2004/01846
REV	DATE	DRAWN	CHECKED	APPROVED	MODIFICATION

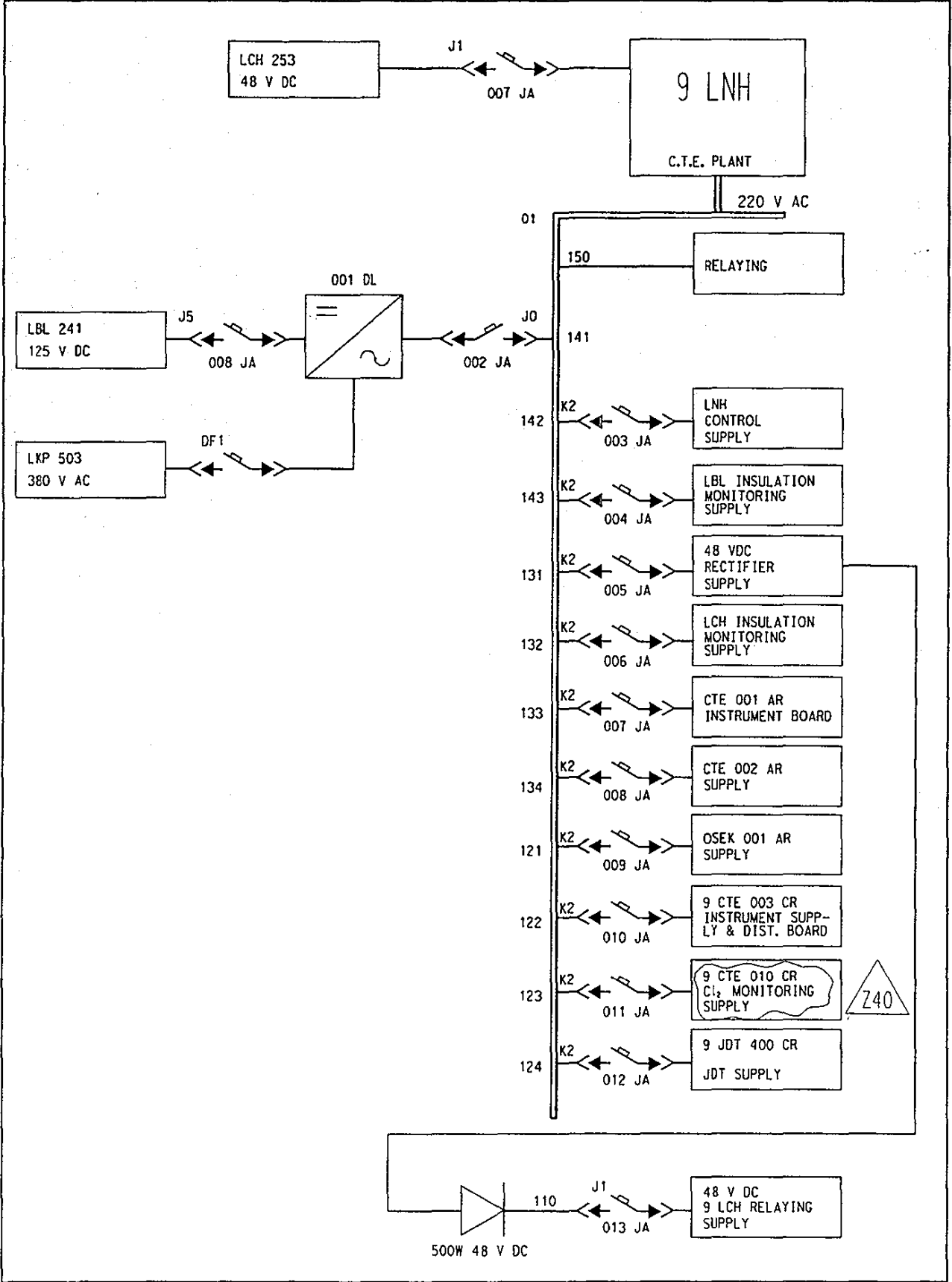
TITLE	9 LNF	DWG No.	31.46 / 1006	MICRO	31.46-1006-45	SHEET	45 BEFORE 46
-------	-------	---------	--------------	-------	---------------	-------	--------------------



Z11	13.02.97	RB	PCd		DDR 1056/96
A	21.10.85	VVZ	GHP		ESKOM No. ALLOCATED (WAS PT770/50.072)
REV	DATE	DRAWN	CHECKED	APPROVED	MODIFICATION
TITLE					SHEET
9 LNG					46
DWG No. 31.46 / 1006					BEFORE
MICRO FEB9344					47



Z40	11.03.08	BLR	WOB	WOB	MOD 06068 ; DDR 2008/00389		
Z17	04.11.97	RB			AS PER DDR 97/01831		
Z11	13.02.97	RB			DDR 1056/96		
Z10	16.01.96	CRAIG			DDR 67/96		
Z1	22.05.95	MARCEL			MOD 590039-9 AS PER DDR 353/95		
REV	DATE	DRAWN	CHECKED	APPROVED	MODIFICATION	SHEET	
TITLE 9 LNH					DWG No. 31.46 / 1006	MICRO FEB96345	47 BEFORE 47



Z16	21.08.01	PSW	MJA	18-1 P3	MOD 91011 : DDR 2001/01958
Z15	13.09.00	PSW			AS PER DDR 2000/0199
Z12	09.12.96	CAW	FGA	BT	RECADDED AS PER DDR 1053/96
A	15.8.86	Y.W.	TD	BD	ESKOM No. ALLOCATED - REF DCR 61/86
REV	DATE	DRAWN	CHECKED	APPROVED	MODIFICATION
TITLE					SHEET
0 LZC					18
DWG No. 31.46 / 1003					BEFORE
MICRO FEB96117					19

